

# Insulated Union Connection

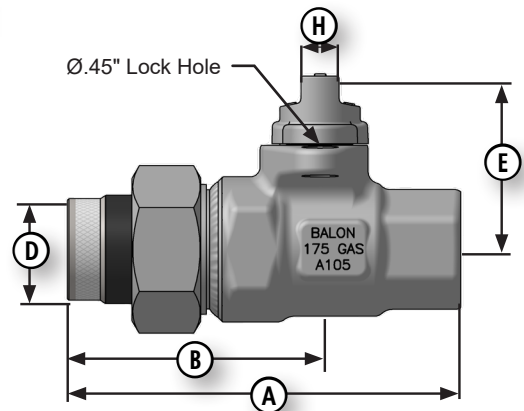
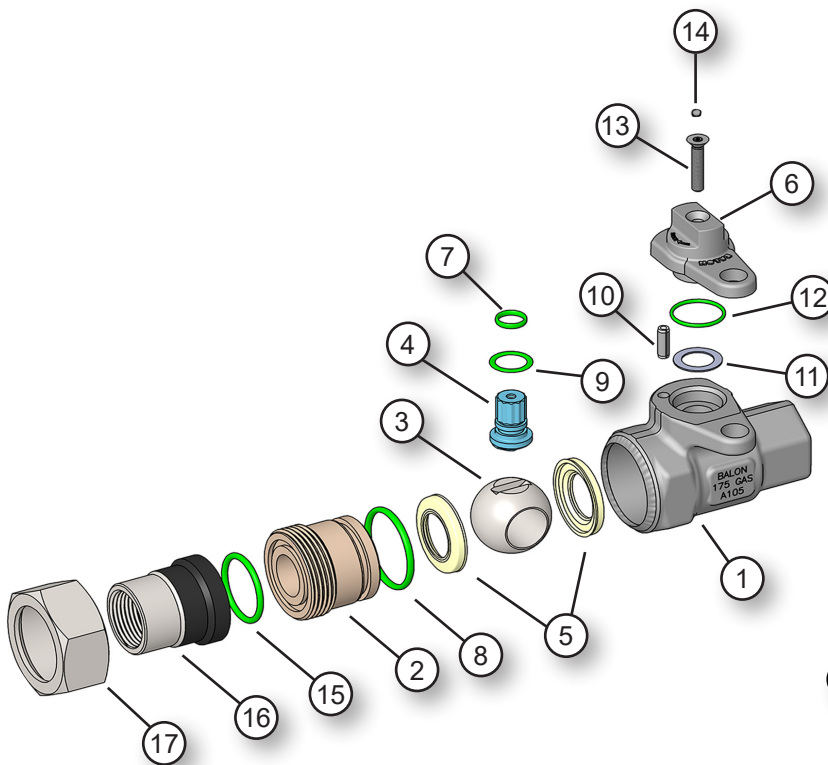
## Series US Carbon Steel Meter Valve

- 100% Made in USA
- 175 PSI WP
- 3/4" and 1"
- Welded Body Construction
  - Certified Low Emission Per API 641
  - Fire Safe Design
  - Individually Tested and Stamped to ASME B16.33
  - Full Port to Accommodate Industry Stop Changers
  - Designed for Decades of Maintenance Free Service
  - Does Not Require Grease or Periodic Adjustments
- Forged Steel Body
- Fully Welded Construction
- Redundant Seals Throughout
- Tamper Resistant Locking Wing
- Multi-Seal Seats (See page B-5)



### Material Description

| ITEM | PART NAME               | MATERIAL NACE (STANDARD)          |
|------|-------------------------|-----------------------------------|
| 1    | Body                    | ASTM A105, Normalized             |
| 2    | Adapter                 | ASTM A108 1018                    |
| 3    | Ball                    | Carbon Steel Nickel Chrome Plated |
| 4    | Stem                    | 316 Stainless Steel               |
| 5    | Seat                    | Polyketone                        |
| 6    | Locking Wing            | Zinc Alloy                        |
| 7    | O-Ring                  | Buna-N                            |
| 8    | O-Ring                  | Fluorocarbon                      |
| 9    | Stem Seal               | TFE                               |
| 10   | Stop Pin                | 316 Stainless Steel               |
| 11   | Stem Washer             | Acetal                            |
| 12   | O-Ring                  | Buna-N                            |
| 13   | Screw                   | Stainless Steel                   |
| 14   | Tamper Resistant Device | Stainless Steel                   |
| 15   | O-Ring                  | Buna-N                            |
| 16   | Insulator               | ASTM A108 1018/Polyketone         |
| 17   | Union Nut               | Carbon Steel                      |



### Dimensional Data

| SIZE        | CATALOG NUMBER               | PORT | WP  | A    | B    | D    | E    | H    | LBS. |
|-------------|------------------------------|------|-----|------|------|------|------|------|------|
|             | STANDARD TRIM<br>BALL & STEM |      |     |      |      |      |      |      |      |
| .75x.75x.75 | 3/4F-US175-UF                | 0.75 | 175 | 4.89 | 3.14 | 1.27 | 2.10 | 0.48 | 2.5  |
| 1x1x1       | 1F-US175-UF                  | 1.00 | 175 | 5.61 | 3.67 | 1.48 | 2.40 | 0.48 | 3.5  |